

## HPX Series

High-Power Programmable DC Series

36 kW - 240 kW

10 - 1000 V

45 - 6000 A

### Advanced Features

- High power density up to 150 kW in a single bay rack-mount cabinet. Up to 240 kW in a dual bay rack.
- Fast load transient response provides protection from undesired voltage excursions.
- Fast slew rate with exceptional rise/fall times for speed-critical applications.
- Low ripple suitable for the most sensitive applications.
- Low audible noise with temperature controlled variable speed fans.
- High accuracy voltage/current measurements without external DMMs.
- Modular architecture simplifies sparing and maintenance.



### Configurable High-Power Solution

The Sorensen HPX Programmable DC Series delivers unsurpassed quality & reliable low-noise performance, fast and precise programmability with premium features at an affordable price, all in a convenient rack-mount cabinet with casters.

- ***High power configured the way you want for today's testing and beyond.***
- ***Affordable system power with all the precision of expensive, custom solutions.***
- ***Serving every major market and application with demanding test specifications.***

### The Flexibility You Want with the Capability You Need in One System

The HPX Series features automatic constant voltage and constant current mode crossover with protection against hazardous faults. Remote shutdown (S/D) interlock provides various external output shutdown capability in case hazardous faults occur. Other features such as external analog programming provide increased control and convenience for external programming applications achieved through various external voltage control methods. The HPX also includes remote sense for correcting errors from line voltage drops. Sophisticated power conversion technology with state-of-the-art FET-based high frequency switching technology provides accuracy, exceptional load transient response & low noise in a smaller footprint as compared to other technologies.

## Markets and Applications

The HPX Series is designed for testing today's complex electronics, including telecommunications, aerospace and commercial electronics requiring sophisticated programmability with high power density. Applications include:

- Telecommunications & IT
- Magnets, RF Amplifiers & Beam Steering
- Battery, Ultracapacitor & Energy Storage Testing
- Electroplating, Sputtering & Coating
- Burn-in & Lights-out Testing
- PV Inverter, Fuel Cell & Renewable Energy R&D
- Test & Measurement
- Semiconductor Processing
- Gas, Chemical, Petroleum & Utility Plants
- Defense, Military & Aerospace ATE
- Compliance Testing
- Industrial Automation & Process Control
- Heater Supplies
- Material Research
- Electrical Component Validation
- Laser Diode Validation & Testing
- Aerospace & Satellite Testing
- Water Treatment & Purification
- Industrial Automation
- EOL Test, QC and Inspection
- Automotive Component, ECU & HIL Testing

## Modular Architecture Benefits

- The HPX system does not go down in the event that one of the power building blocks fails.
- Modularity also allows more efficient maintenance as sparing can be done at the building block level. Intelligent controls allow for sophisticated sequencing, constant power mode to allow for independent settings of max voltage, current and power and save/recall of the supply settings.
- Flexible control includes front panel manual control, isolated analog input, RS232, Ethernet (LXI), and optional IEEE-488.

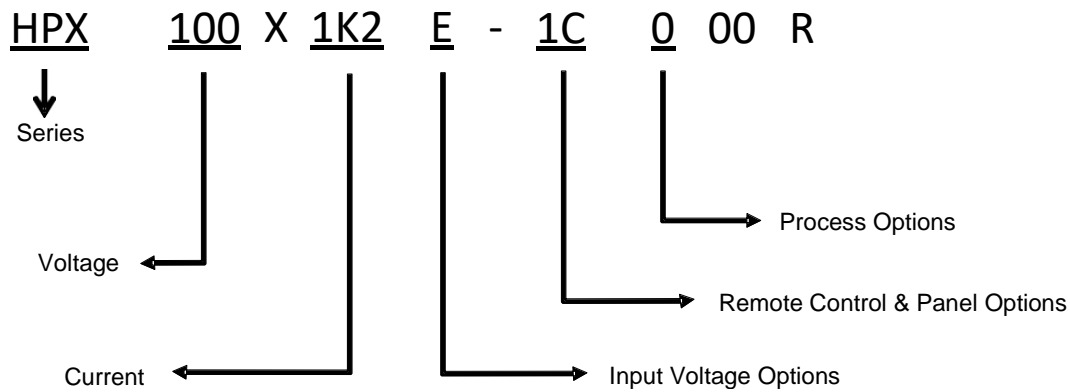
## Specifications

Electrical Specifications	
<b>Input Power</b>	
Voltage (Standard)	440/480 VAC $\pm 10\%$ (allowed range 396-528 VAC)
Voltage (Options)	208/220 VAC $\pm 10\%$ (allowed range 187-242 VAC) (for power levels to 75KW) 380/400 VAC $\pm 10\%$ (allowed range 342-440 VAC)
Frequency	47 to 63 Hz
Phases	3-phase, 3-wire plus ground. Not phase rotation sensitive. Neutral not used.
Power Factor	0.9 typical
Efficiency	87% typical at full load, nominal line for 40-1000V models 85% typical at full load, nominal line for 10-30VDC models
<b>Load Regulation</b>	
Voltage	0.02% of maximum output voltage for 40-1000V models 0.05% of maximum output voltage for 10-30VDC models
Current	0.1% of maximum output current
<b>Load Regulation</b>	
Voltage	0.02% of maximum output voltage for 40-1000V models 0.05% of maximum output voltage for 10-30VDC models
Current	0.1% of maximum output current
<b>Other</b>	
Transient Response	Recovers within 1ms to $\pm 0.75\%$ of full scale output for a 50% to 100% or 100% to 50% load change
Down Programming	With full load, the output will program from 100% to 10% in less than 10 seconds
Voltage Stability	$\pm 0.05\%$ of set point after 30-min warm-up > 8 hrs. with fixed line, load, and temperature at sense points.
Temperature Coefficient	0.02 %/°C of max output voltage rating for voltage set point, typical 0.03 %/°C of max output current rating for current set point, typical
Environmental Specifications	
Cooling	Internal fans in all power supplies, w/ additional fans in racks above 60 kW. Vents from front to rear <60kW.
Humidity	95% maximum, non-condensing, 0 to 50°C; 45°C maximum wet-bulb temperature
Operating Temperature	0 to 50°C
Storage Temperature	-25° to 65°C
Altitude	Operating full power available up to 5,000 ft (1524 m)

<b>Remote Control / Monitor Specifications</b>	
<b>Front Panel and Remote Digital Programming</b>	
Voltage	±0.1% of full-scale
Current	±0.4% of full-scale
Overvoltage Protection (OVP)	±1% of full-scale output
<b>Front Panel Meter Accuracy</b>	
Voltage	±0.1% of full-scale
Current	±.4% of full-scale
<b>Remote Digital Readback</b>	
Voltage	±0.15% of full-scale
Current	±0.4% of full-scale
<b>Remote Analog Programming</b>	
Voltage	±0.25% of full-scale output for 0-5V range (±0.5% 0-10V range)
Current	±1% of full-scale output for 0-5V range (±2% 0-10V range)
Overvoltage Protection	±1% of full-scale output
<b>Remote Analog Readback</b>	
Voltage	±1% of full-scale output, 0-10V range
Current	±1% of full-scale output, 0-10V range
<b>Resistive Programming</b>	
Voltage (0-100%)	0-5 kΩ
Current (0-100%)	0-5 kΩ
<b>Voltage Programming</b>	
Voltage (0-100%)	0-5 VDC or 0-10 VDC
Current (0-100%)	0-5 VDC or 0-10 VDC
Overvoltage Protection (OVP)	0.25-5.5 VDC
<b>Remote Analog Control</b>	
Input to Output Isolation	The control signal return for Non-Isolated Analog programming is connected to the negative output terminal. Negative terminal should not exceed 300V to earth ground. The max. voltage with Remote Isolated Analog programming (option) to the negative output terminal is 600V.
<b>Remote Sensing</b>	
Remote Sensing	Terminals are provided to regulate output voltage at point of load. Maximum line drop is 5% of rated output voltage per line for 40-100V models, 2% of rated output voltage per line for >100V models, 1V for 10-20V, 1.5V for 30V

Physical Specifications				
Dimension	36, 45 & 60kW Models	75, 90 & 105kW Models	120, 135 & 150kW Models	180, 210 & 240kW Models
Width	24 in (55.9 cm)	24 in (55.9 cm)	24 in (55.9 cm)	48 in (122 cm)
Depth	36 in (96.5 cm)	36 in (96.5 cm)	36 in (96.5 cm)	36 in (96.5 cm)
Height	49.5 in (129.73 cm)	73 in (185.42cm)	80 in (203.2cm)	73 in (185.42cm)

Options & Order Information



Options and Accessories	
<b>Input Voltage Options</b>	
C	Input Voltage 208/230 (187-253Vac)
D	Input Voltage 380/400 (342-440Vac)
E	Input Voltage 440/480 (396-528Vac)
<b>Remote Control &amp; Panel Options</b>	
1C	No Additional Options (Ethernet and RS232C standard)
2F	IEEE-488.2
2G	Isolated Analog Control
2H	AC Input breaker w/ EPO panel
3C	Isolated Analog Control + AC Input breaker w/ EPO panel
3E	IEEE-488.2 + Isolated Analog Control
3F	IEEE-488.2 + AC Input breaker w/ EPO panel
4A	IEEE-488.2 + Isolated Analog Control + AC Input breaker w/ EPO panel
<b>Process Options</b>	
0	No Options
1	Certificate of Calibration per supply (includes Test Data) to ANSI / NCSL Z540-1

The HPX does not come with a CE mark. Please consult factory if CE is needed.

## Models by Voltage and Power:

Rack Size	24U		35U		35U		40U		40U		2 x 36U	
	Power	45 kW	60 kW	75 kW	90 kW	105 kW	120 kW	135 kW	150 kW	180 kW	210 kW	240 kW
VOLTAGE	1000	1K0 x 45	1K0 x 60	1K0 x 75	1K0 x 90	1K0 x 105	1K0 x 120	1K0 x 135	1K0 x 150	1K0 x 180	1K0 x 210	1K0 x 240
	800	800 x 56	800 x 75	800 x 94	800 x 112	800 x 131	800 x 150	800 x 168	800 x 187	800 x 224	800 x 262	800 x 300
	600	600 x 75	600 x 100	600 x 125	600 x 150	600 x 175	600 x 200	600 x 225	600 x 250	600 x 300	600 x 350	600 x 400
	500	500 x 90	500 x 120	500 x 150	500 x 180	500 x 210	500 x 240	500 x 270	500 x 300	500 x 360	500 x 420	500 x 480
	400	400 x 114	400 x 152	400 x 190	400 x 228	400 x 266	400 x 304	400 x 342	400 x 380	400 x 456	400 x 532	400 x 608
	330	330 x 135	330 x 180	330 x 225	330 x 270	330 x 315	330 x 360	330 x 405	330 x 450	330 x 540	330 x 630	330 x 720
	300	300 x 150	300 x 200	300 x 250	300 x 300	300 x 350	300 x 400	300 x 450	300 x 500	300 x 600	300 x 700	300 x 800
	250	250 x 180	250 x 240	250 x 300	250 x 360	250 x 420	250 x 480	250 x 540	250 x 600	250 x 720	250 x 840	250 x 960
	200	200 x 225	200 x 300	200 x 375	200 x 450	200 x 525	200 x 600	200 x 675	200 x 750	200 x 900	200 x 1K0	200 x 1K2
	160	160 x 282	160 x 376	160 x 470	160 x 564	160 x 658	160 x 752	160 x 846	160 x 940	160 x 1K1	160 x 1K3	160 x 1K5
	100	100 x 450	100 x 600	100 x 750	100 x 900	100 x 1K0	100 x 1K2	100 x 1K3	100 x 1K5	100 x 1K8	100 x 2K1	100 x 2K4
	80	80 x 564	80 x 752	80 x 940	80 x 1K1	80 x 1K3	80 x 1K5	80 x 1K6	80 x 1K8	80 x 2K2	80 x 2K6	80 x 3K0
	60	60 x 750	60 x 1K0	60 x 1K2	60 x 1K5	60 x 1K7	60 x 2K0	60 x 2K2	60 x 2K5	60 x 3K0	60 x 3K5	60 x 4K0
	50	50 x 900	50 x 1K2	50 x 1K5	50 x 1K8	50 x 2K1	50 x 2K4	50 x 2K7	50 x K0	50 x 3K6	50 x 4K2	50 x 4K8
	40	40 x 1K1	40 x 1K5	40 x 1K8	40 x 2K2	40 x 2K6	40 x 3K0	40 x 3K3	40 x 3K7	40 x 4K5	40 x 5K2	40 x 6K0
	30	30 x 1K5	30 x 2K0	30 x 2K5	30 x 3K0	30 x 3K5	30 x 4K0	30 x 4K5	30 x 5K0	30 x 6K0	Cons. Fact	Cons. Fact
	20	20 x 2K2	20 x 3K0	20 x 3K7	20 x 4K5	20 x 5K2	20 x 6K0	Cons. Fact	Cons. Fact	Cons. Fact	Cons. Fact	Cons. Fact
		<b>36 kW</b>	<b>48 kW</b>	<b>60 kW</b>								
15	15 x 2K4	15 x 3K2	10 x 4K0									
10	10 x 3K6	10 x 4K8	10 x 6K0									

- 1) Power factor correction will be standard (included) on all high-power systems.
- 2) Models highlighted in green may have shorter lead times. Consult factory for current lead times.
- 3) Cons. Fact. means "consult factory."



### 绿测科技有限公司

广州总部：广州市番禺区陈边村金欧大道83号江潮创意园A栋208室  
 深圳分公司：深圳市龙华区龙华街道 油松社区东环一路1号耀丰通工业园1-2栋2栋607  
 南宁分公司：广西自由贸易试验区南宁片区五象大道401号五象航洋城1号楼3519号  
 广州分公司：广州市南沙区凤凰大道89号中国铁建·凤凰广场B栋1201房  
 电话：020-2204 2442  
 传真：020-8067 2851  
 邮箱：Sales@greentest.com.cn  
 官网：www.greentest.com.cn



微信视频号



绿测科技订阅号



绿测工场服务号